

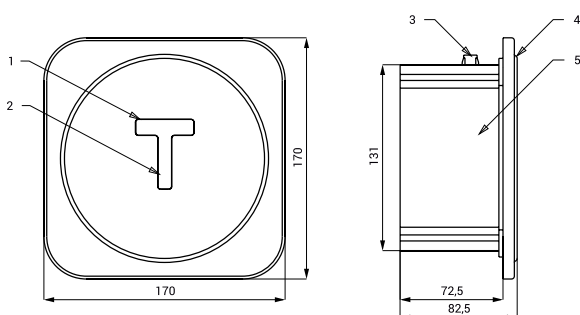
RFID Token Credit Value Readers SLZA 30CZ



Characteristics

- stainless steel credit value readers for RFID tokens
- for check of credit value on RFID token
- possibility of automatic charging of the units to the token
- recessed credit value reader
- material AISI - 304
- brushed finish

Dimensions



- 1 - display
- 2 - RFID active range
- 3 - power supply 24 V DC
- 4 - stainless steel cover with electronics
- 5 - plastic mounting box

Technical Specification

Stainless steel cover dimension	170 x 170 x 10 mm
Plastic mounting box dimensions	140 x 140 x 75 mm
Operating voltage	24 V DC
Power input	2 W

Supply Specification

SLZA 30CZ - Supply No. 89302 stainless steel credit value reader with display, plastic mounting box

Recommended Accessories

SLZ 01Y	- Supply No. 05012	power supply 24 V DC
SLZ 04Y	- Supply No. 05042	power supply 24 V DC for DIN rail
SLZA 30	- Supply No. 89300	programming station for RFID tokens
SLZA 31	- Supply No. 89310	stainless steel RFID token wall hung panel with RFID token credit value reader
SLZA 32	- Supply No. 89321	stainless steel RFID token wall hung panel with RFID token credit value reader
SLZA 32T	- Supply No. 89320	stainless steel RFID token wall hung panel with RFID token credit value reader
SLZA 38	- Supply No. 89380	programming station for RFID tokens
SLZA 51	- Supply No. 88510	set of 50 pcs. of plastic RFID tokens for token machines, yellow color
SLZA 51B	- Supply No. 88511	set of 50 pcs. of plastic RFID tokens for token machines, blue color
SLZA 51R	- Supply No. 88512	set of 50 pcs. of plastic RFID tokens for token machines, red color (logo on the token is not possible)
SLZA 54	- Supply No. 88540	protective cover above the recessed machines