

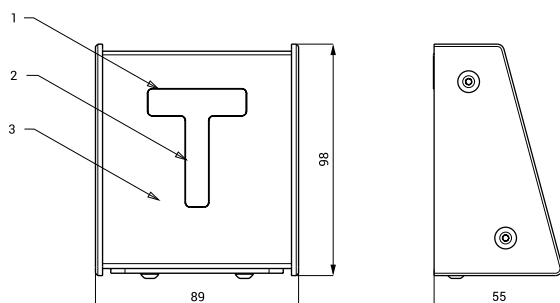
# RFID single-phase appliance switch SLZA 30B



## Characteristics

- stainless steel RFID single-phase appliance switch
- model with index B - on the wall
- material AISI - 304
- brushed finish

## Dimensions



- 1 - display  
2 - RFID active range  
3 - stainless steel case with plastic sideboards

## Technical Specification

Dimension	96 x 74 x 51 mm
Operating voltage	24 V DC
Power input	4 W

## Supply Specification

SLZA 30B - Supply No. 89305 stainless steel station with display

## Recommended Accessories

SLZ 01Y - Supply No. 05012	power supply 24 V DC for operating of max. 5 pcs. single-phase appliance switches
SLZ 01Z - Supply No. 05011	power supply 24 V DC for operating of max. 9 pcs. single-phase appliance switch
SLZ 04Y - Supply No. 05042	power supply 24 V DC for DIN rail, for operating of max. 5 pcs. single-phase appliance switch
SLZ 04Z - Supply No. 05041	power supply 24 V DC for DIN rail, for operating of max. 9 pcs. single-phase appliance switch
SLZ 04X - Supply No. 10049	power supply 24 V DC for DIN rail, for operating of max. 15 pcs. single-phase appliance switch
SLZA 30 - Supply No. 89300	programming station for RFID tokens
SLZA 38 - Supply No. 89380	programming station for RFID tokens
SLZA 51 - Supply No. 88510	set of 50 pcs. of plastic RFID tokens for token machines, yellow color
SLZA 51B - Supply No. 88511	set of 50 pcs. of plastic RFID tokens for token machines, blue color
SLZA 51R - Supply No. 88512	set of 50 pcs. of plastic RFID tokens for token machines, red color (logo on the token is not possible)
SLZA 53 - Supply No. 88530	contactor 24 V DC
SLZA 54A - Supply No. 88541	protective cover above the wall-mounted machines