

Automatic Washbasin Mixer rose gold COLOR ELITE LINE - SLU 76NF, SLU 76NFX



SANELA 
we make water cool®



rose gold
SLU 76NF

rose gold matt
SLU 76NFX



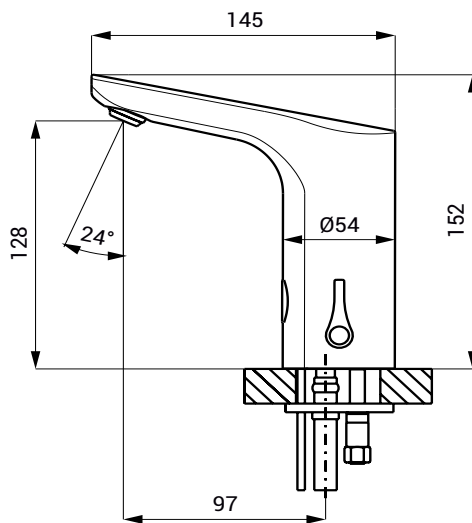
cover

Characteristics



- includes Bluetooth control (paid Sanela Control app available for download)
- economical aerator, rate of flow 6 l/min
- hygienic flush
- durable PVD surface finish
- possibility of water temperature adjustment by mixer and follow-up plug by cover
- electromagnetic valve is in the tap body
- is destined for cold and hot water, temperature is regulated by mixer
- water is flowing as long as hands are in the active range
- water stops flowing after removal of hands from the active range of sensor after adjustable time delay (can be set in range 0,25 – 7,75 s)
- function of automatic water stop after 5 minut of continuous flow
- monitoring of battery capacity (for models with index B)
- START/STOP program
- parameter setting and communication with the electronics via the Sanela Control app (Bluetooth) or the SLD 03

Dimensions



Technical Specification

Dimensions	152 x 145 mm
Weight	
▪ SLU 76NF, SLU 76NFX	1,9 kg
▪ SLU 76NFB, SLU 76NFXB	2,04 kg
Operating voltage	
▪ SLU 76NF, SLU 76NFX	24 V DC
▪ SLU 76NFB, SLU 76NFXB	6 V
Power input	
▪ operating by 24 V DC	2 W
▪ operating by 6 V	2 W
Battery life	
▪ 4 pcs. AA alkaline batteries	approx. 2 years
AA, 1,5 V, 2700 mAh	(100 uses per day)
Active range	
▪ standard	0,13 - 0,19 m
▪ START/STOP program	0,05 - 0,15 m
Recommended flow pressure	0,1 - 0,6 MPa
Rate of flow	6 l/min. (inf. data)
Water inlet	male thread G 1/2"

Supply Specification

- SLU 76NF - Supply No. 03769 faucet with mixer, electronics including Bluetooth module and solenoid valve
- SLU 76NFX - Supply No. 33765 coupling hoses, filter and check valve (2 pcs.), cover for temperature mixer
- SLU 76NFB - Supply No. 23766 faucet with mixer, electronics including Bluetooth module and solenoid valve,
- SLU 76NFXB - Supply No. 23767 coupling hoses, filter and check valve (2 pcs.), cover for temperature mixer, 4 pcs. AA alkaline batteries 1,5 V, 2700 mAh with battery case

Recommended Accessories

SLZ 01Y	-	Supply No. 05012	power supply 24 V DC for operating of max. 10 pcs. of washbasin taps
SLZ 01Z	-	Supply No. 05011	power supply 24 V DC for operating of max. 20 pcs. of washbasin taps
SLZ 04Y	-	Supply No. 05042	power supply 24 V DC for DIN rail, for operating of max. 10 pcs. of washbasin taps
SLZ 04Z	-	Supply No. 05041	power supply 24 V DC for DIN rail, for operating of max. 20 pcs. of washbasin taps
SLZ 04X	-	Supply No. 10049	power supply 24 V DC for DIN rail, for operating of max. 30 pcs. of washbasin taps
SLZ 06	-	Supply No. 05060	power supply 24 V DC for operating of max. 1 pc. of washbasin tap
SLD 03	-	Supply No. 07030	remote control for an adjustment of parameters
SLA 36	-	Supply No. 06360	set of 4 pcs. alkaline batteries AA, 1,5 V, 2700 mAh (for models with index B)
SLA 55A	-	Supply No. 06550	economical aerator 3,8 l/min
SLA 55B	-	Supply No. 06551	economical aerator 1,9 l/min
APLIKACE SANELA CONTROL			paid Sanela Control App available for download on the App Store and Google Play